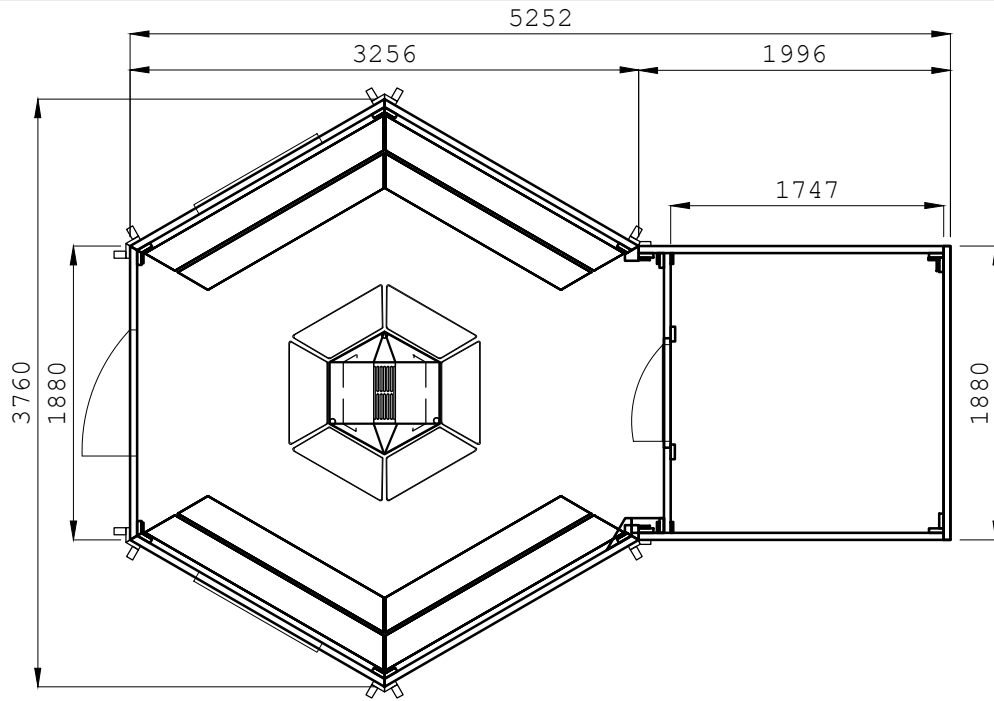
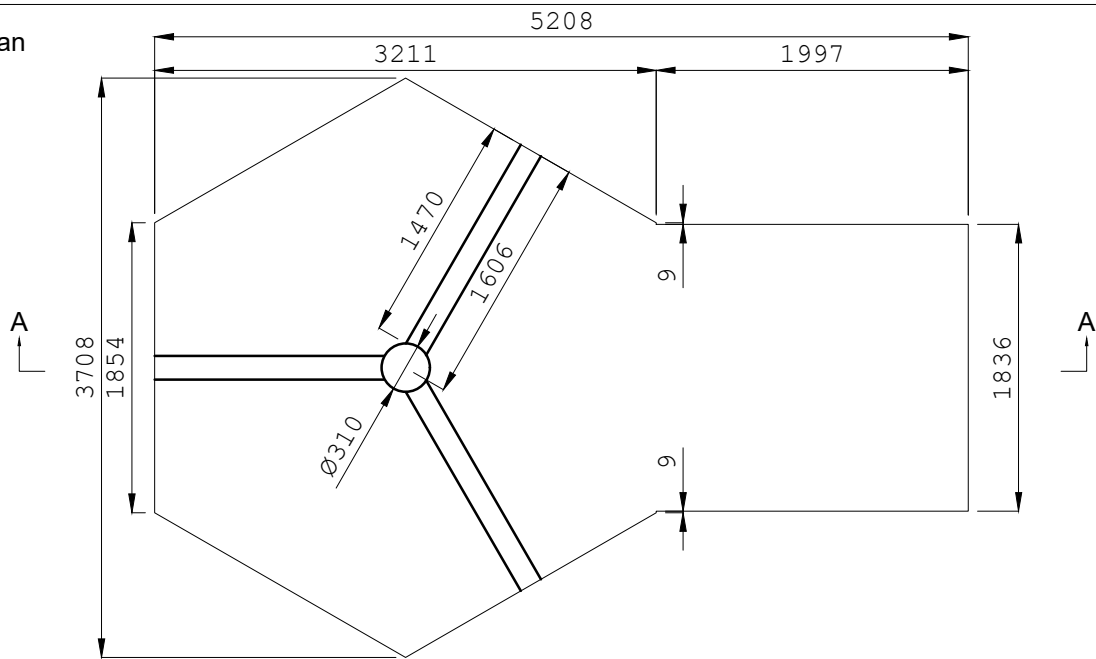


Wall Plan



Basement Plan



A - A

